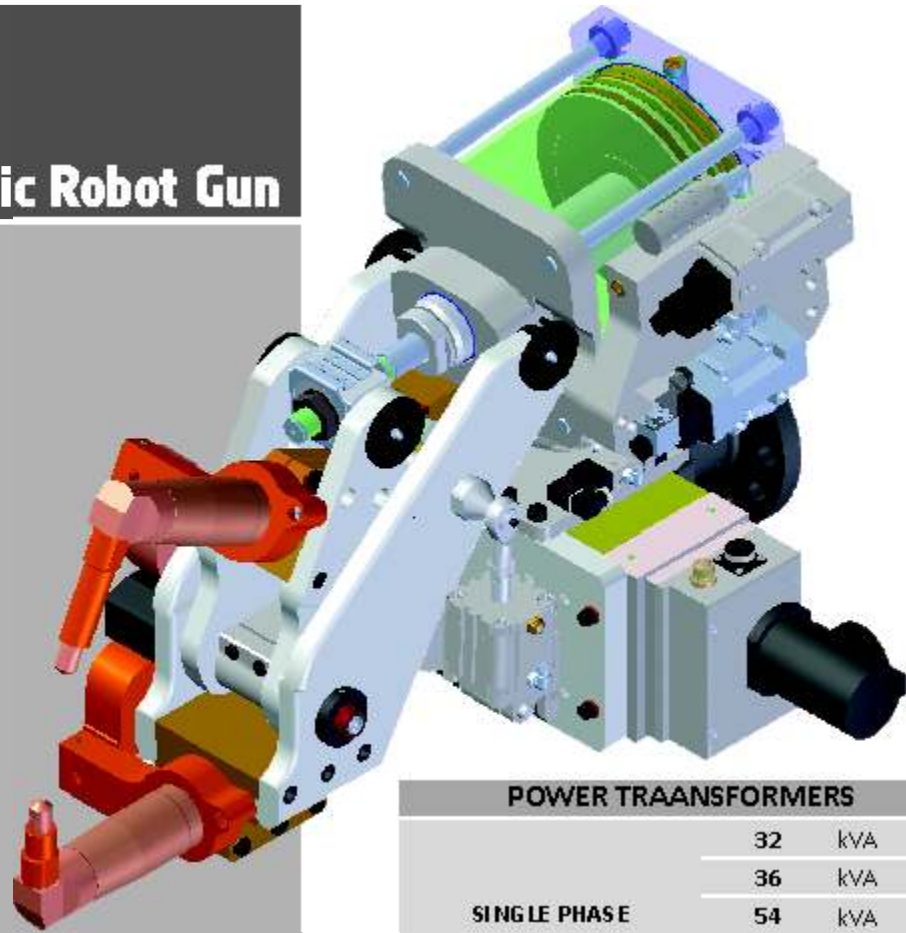
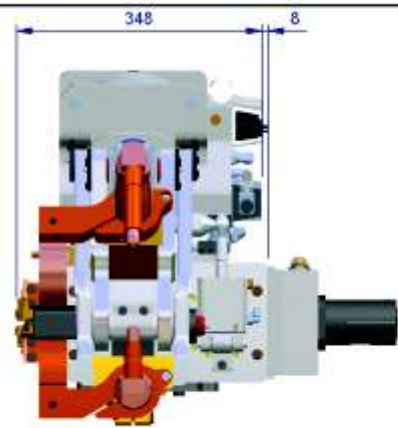
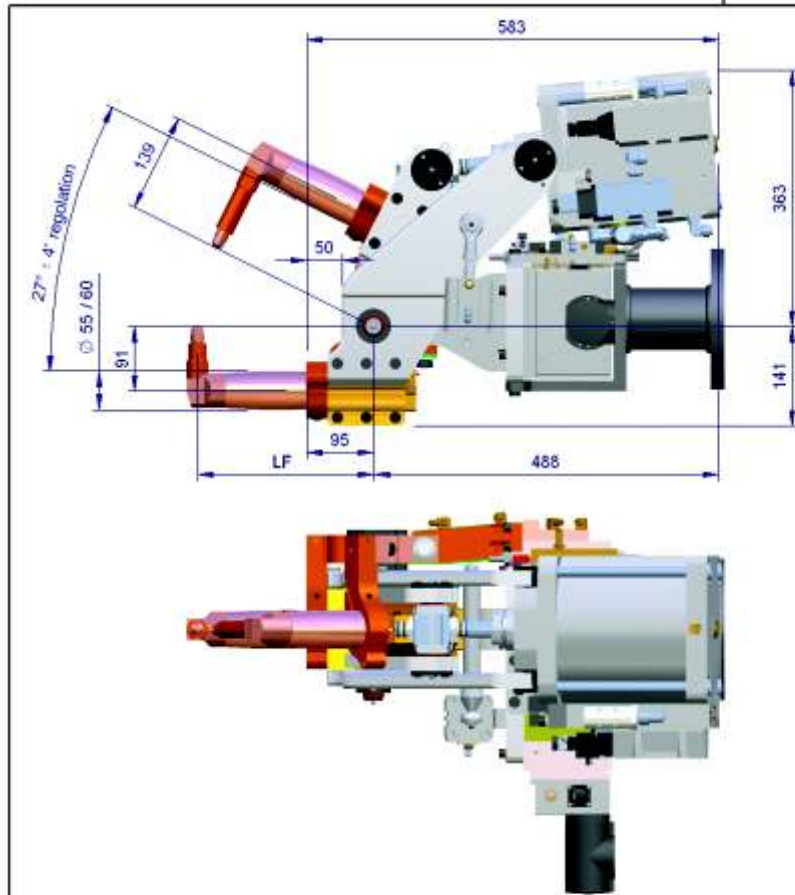


# Pneumatic Robot Gun

**XRP200**



POWER TRANSFORMERS	
SINGLE PHASE	32 kVA
	36 kVA
	54 kVA
	60 kVA
MEDIUM FREQUENCY	75 kVA
	56 kVA
	90 kVA



LF (mm)	Electrode Force (daN)
250	1752
300	1460
400	1095
500	876
600	730
700	626
800	548

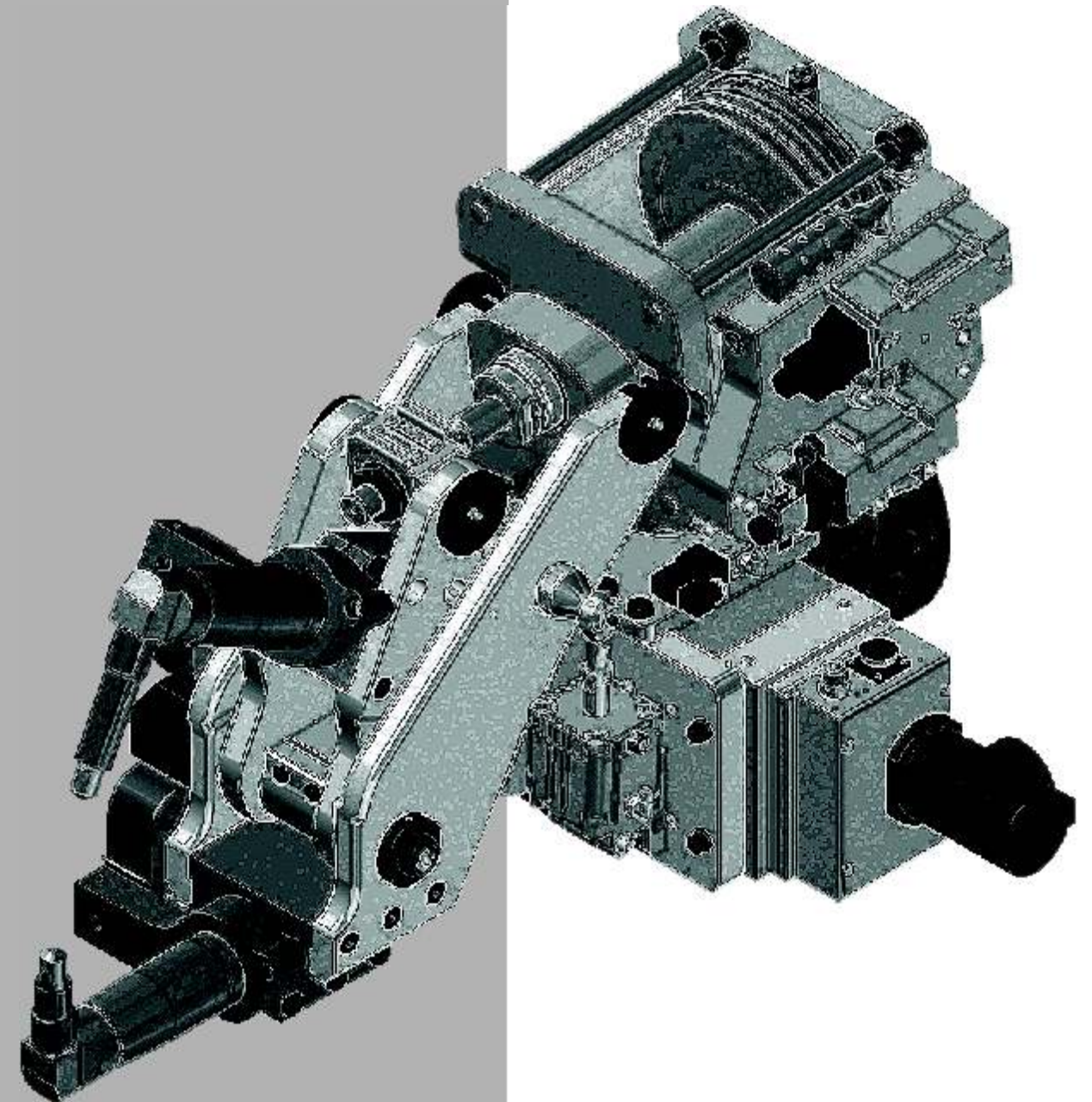
Body Weight NO Transformer NO Arms 70 kg

<b>TECNA</b> S.p.A. CASTEL S. PIETRO TERME (BO) Tel. 051.6954400 - Fax 051.6954490 http://www.tecna.net	Modello X Robot Grande	Data 29/08/2008
--	---------------------------	--------------------

# TECNA®

S.p.A. - Via Grieco, 25/27 - 40024 - Castel S. Pietro Terme - Bologna (Italy)  
Pho. +39.051.6954400 - Tel. 051.6954410 - Fax +39.051.6954490  
http://www.tecna.net - E-mail: sales@tecna.net - vendite@tecna.net

## X Type Pneumatic Robot Guns

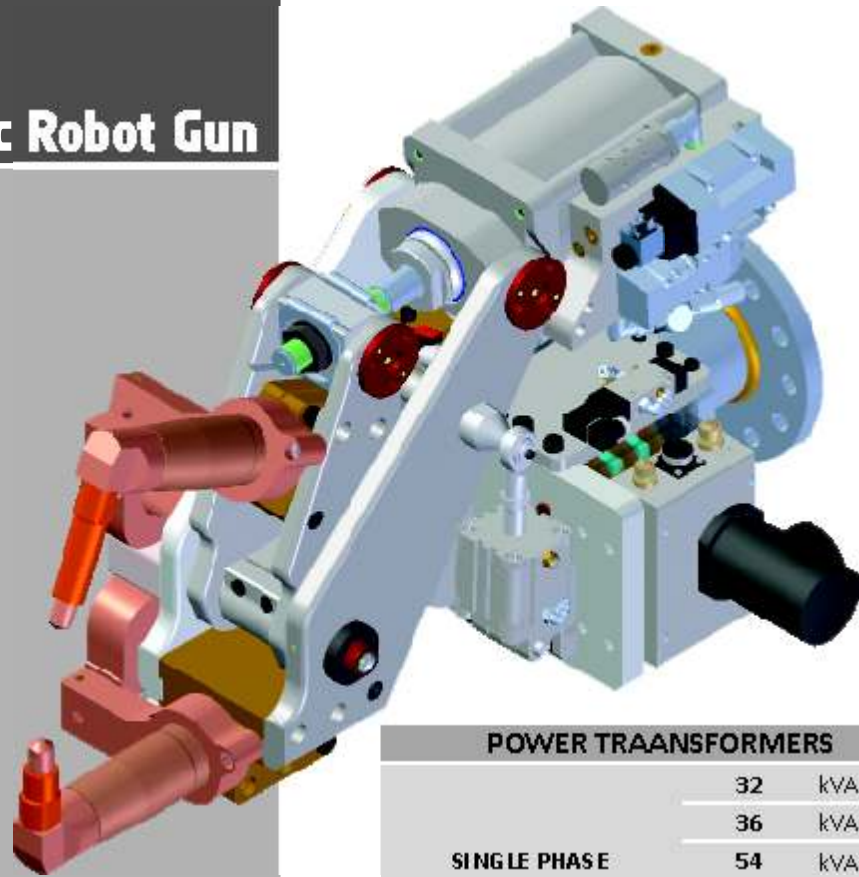


TECNA S.p.A. Specifications subject to change  
Without notice



# Pneumatic Robot Gun

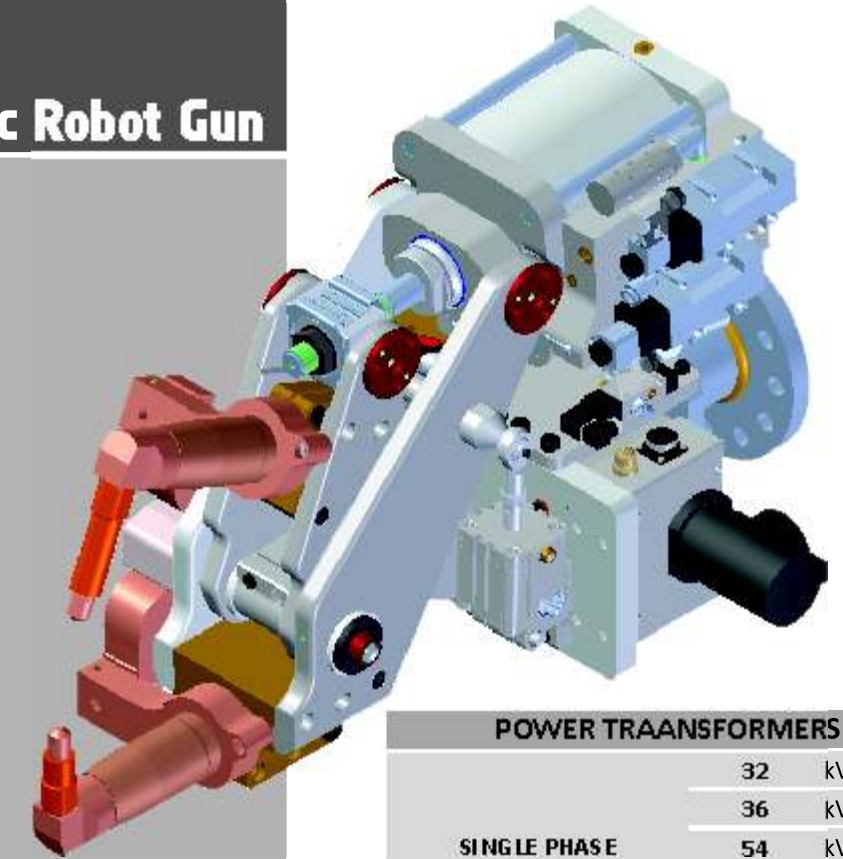
# XRP125



POWER TRANSFORMERS	
SINGLE PHASE	32 kVA
	36 kVA
	54 kVA
	60 kVA
	75 kVA
MEDIUM FREQUENCY	56 kVA
	90 kVA

# Pneumatic Robot Gun

# XRP160



POWER TRANSFORMERS	
SINGLE PHASE	32 kVA
	36 kVA
	54 kVA
	60 kVA
	75 kVA
MEDIUM FREQUENCY	56 kVA
	90 kVA

LF (mm)	Electrode Force (daN)
250	680
300	567
400	425
500	340
600	283
700	243
800	213

**TECNA SpA**  
 CASTEL S. PIETRO TERME (BO)  
 TEL: 059/451450 FAX: 059/451451  
 E-MAIL: info@tecna.it

MODEL: X Robot Piccola  
 VERSION: XRP Pn125  
 DATE: 29/08/2008

**Body Weight NO Transformer NO Arms 55 kg**

LF (mm)	Electrode Force (daN)
250	1114
300	928
400	696
500	557
600	464
700	398
800	348

**TECNA SpA**  
 CASTEL S. PIETRO TERME (BO)  
 TEL: 059/451450 FAX: 059/451451  
 E-MAIL: info@tecna.it

MODEL: X Robot Piccola  
 VERSION: XRP Pn  
 DATE: 29/08/2008

**Body Weight NO Transformer NO Arms 60 kg**